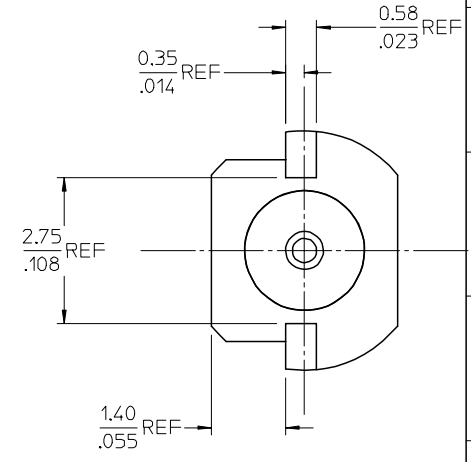
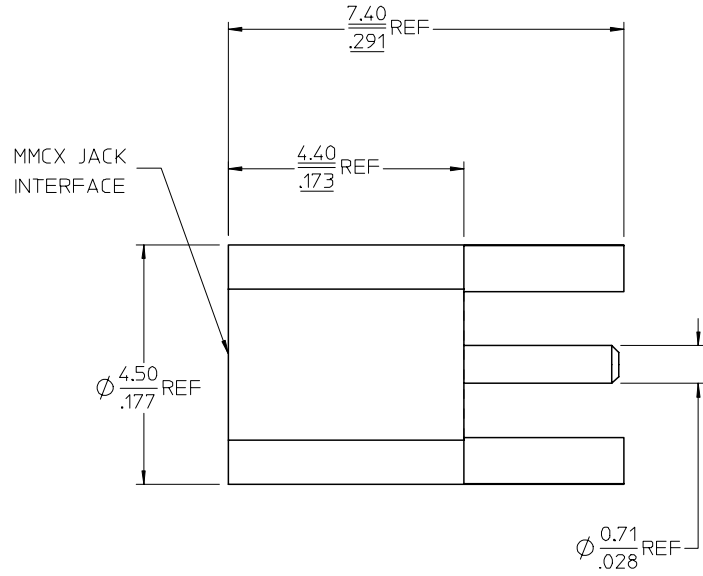
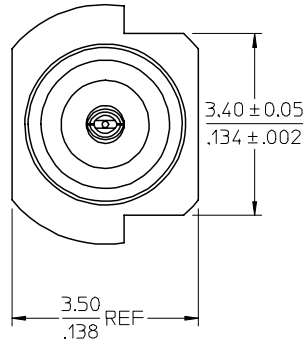


MATERIALS AND FINISHES:

BODY BRASS  
PLATED GOLD

CONTACT BERYLLIUM COPPER  
PLATED GOLD

INSULATOR TEFLON

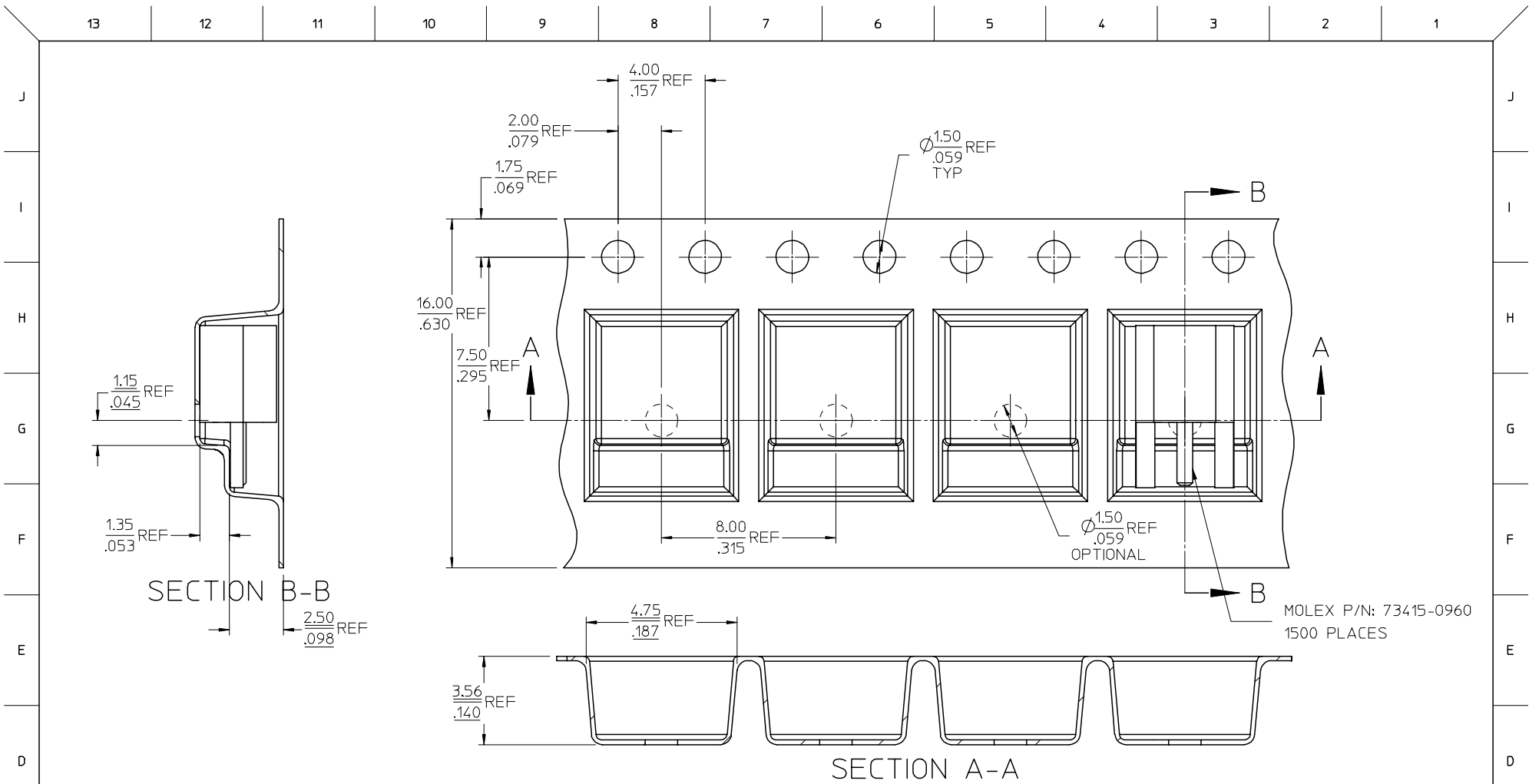


FOR PCB LAYOUT SEE SHEET 5

REEL SIZE FOR TAPE AND REEL: 1500 PIECES

73415-0968	PER COMMERCIAL REQUIREMENTS	SEE SHEET 4
73415-0967	PER COMMERCIAL REQUIREMENTS	LEADS ORIENTED OPPOSITE FEED HOLES WITHOUT LABEL
73415-0966	PER MILITARY REQUIREMENTS	LEADS ORIENTED TOWARDS FEED HOLES WITHOUT LABEL
73415-0965	PER COMMERCIAL REQUIREMENTS	LEADS ORIENTED OPPOSITE FEED HOLES
73415-0964	PER MILITARY REQUIREMENTS	LEADS ORIENTED TOWARDS FEED HOLES
73415-0963	PER COMMERCIAL REQUIREMENTS	LEADS ORIENTED TOWARDS FEED HOLES
73415-0962	PER MILITARY REQUIREMENTS	LEADS ORIENTED OPPOSITE FEED HOLES
73415-0961	PER COMMERCIAL REQUIREMENTS	INDIVIDUAL BAGS
73415-0960	PER MILITARY REQUIREMENTS	INDIVIDUAL BAGS
ES-73599-0000-0160	INTERFACE	
PS-89675-1910	ELECTRO/MECH PERFORMANCE	
SPECIFICATION	DESCRIPTION	PART NUMBER

CHG: SEE SHEET 4 FC NO: URF2007-0053 DRAWN/CLL: 2006/08/07 CHKD: 2006/08/08 APPR: MJIANG 2006/08/08	QUALITY SYMBOLS ▽=0 ▽=0	GENERAL TOLERANCES (UNLESS SPECIFIED)		DIMENSION STYLE MM/IN		SCALE	DESIGN UNITS METRIC	THIRD ANGLE PROJECTION
		4 PLACES ± --- ± --- 3 PLACES ± --- ± --- 2 PLACES ± --- ± --- 1 PLACE ± --- ± --- ANGULAR ± 2 °	DRAWN BY DATE EDC 1999/02/15 CHECKED BY DATE DHG 1999/02/15 APPROVED BY DATE GMH 1999/02/15	TITLE MMCX JACK, PCB LAUNCHER MMCX-J/PCB		MATERIAL NO. SEE TABLE		DOCUMENT NO. SD-73415-096
DRAFT WHERE APPLICABLE MUST REMAIN WITHIN DIMENSIONS		SIZE C		THIS DRAWING CONTAINS INFORMATION THAT IS PROPRIETARY TO MOLEX INCORPORATED AND SHOULD NOT BE USED WITHOUT WRITTEN PERMISSION				



NOTE:

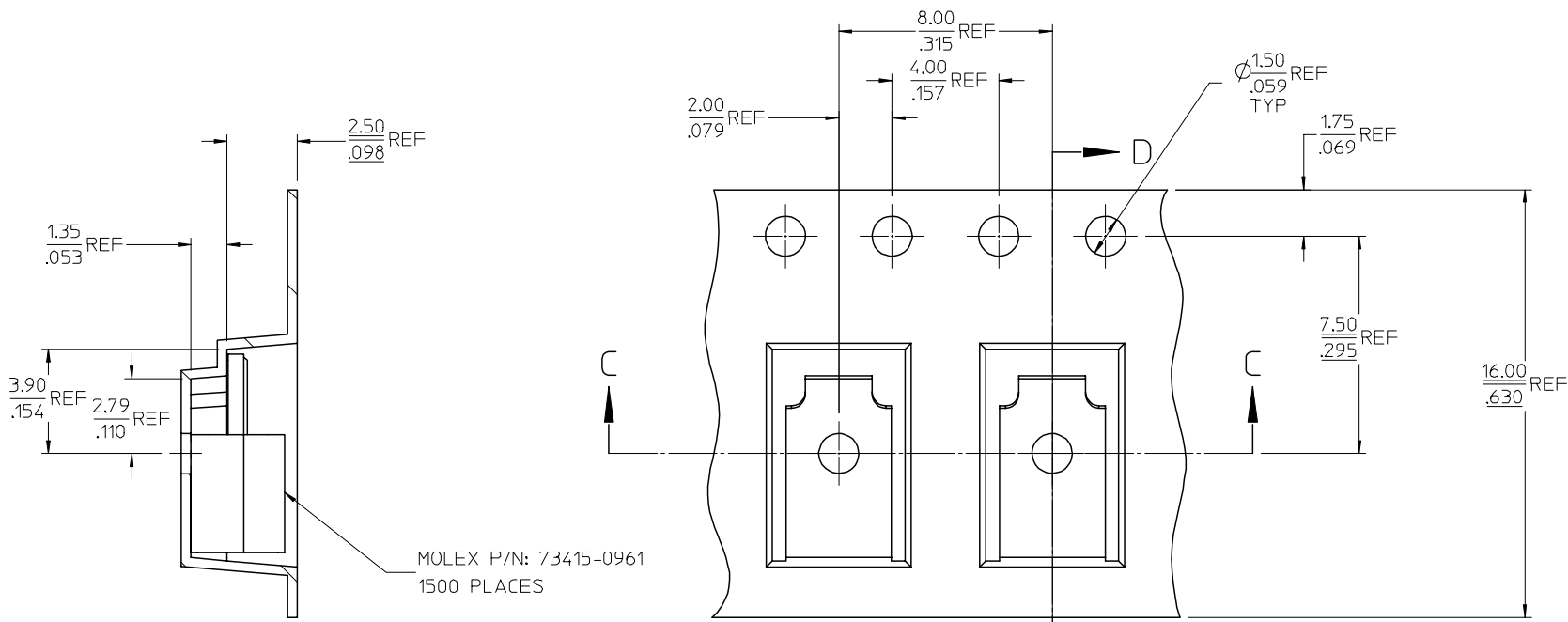
1. DIMENSIONS ARE PROVIDED FOR REFERENCE ONLY.

PART # 73415-0962/73415-065/73415-0967

CHG: SEE SHEET 4 FC NO: URF2007-0053 T: DRW: NCLLI CHKD: 2006/08/07 APPR: MJIANG 2006/08/08	QUALITY SYMBOLS ▽=0 ▽=0	GENERAL TOLERANCES (UNLESS SPECIFIED)		DIMENSION STYLE MM/IN		SCALE	DESIGN UNITS METRIC	THIRD ANGLE PROJECTION		
		4 PLACES ± --- ± ---	3 PLACES ± --- ± ---	2 PLACES ± --- ± ---	1 PLACE ± --- ± ---	DRAWN BY EDC	DATE 1999/02/15	TITLE MMCX JACK, PCB LAUNCHER MMCX-J/PCB		
		ANGULAR ± 2 °				CHECKED BY DHG	DATE 1999/02/15	MOLEX INCORPORATED		
		DRAFT WHERE APPLICABLE MUST REMAIN WITHIN DIMENSIONS				APPROVED BY GMH	DATE 1999/02/15	MATERIAL NO. SEE SHEET 1	DOCUMENT NO. SD-73415-096	SHEET NO. 2 OF 5

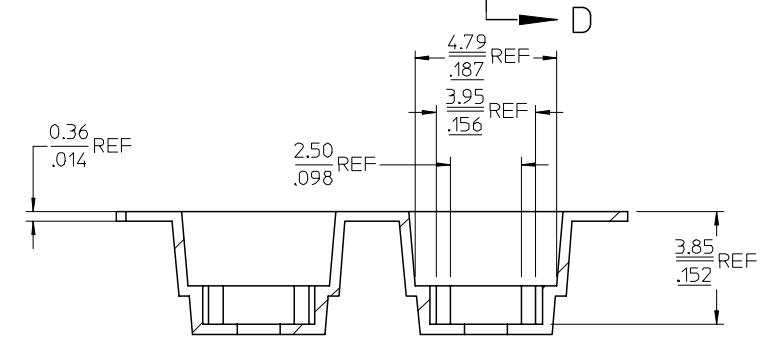
13 12 11 10 9 8 7 6 5 4 3 2 1

J  
I  
H  
G  
F  
E  
D  
C  
B  
A



SECTION D-D

MOLEX P/N: 73415-0961  
1500 PLACES



SECTION C-C

NOTES:

- 1. DIMENSIONS ARE PROVIDED FOR REFERENCE ONLY.
- PART # 73415-0963/73415-0964/73415-0966

B  
A

CHG: SEE SHEET 4 EC NO: URF2007-0053 DRAWN/CLL: 2006/08/07 CHKD: 2006/08/08 APPR: MJIANG REVISION DESCRIPTION	QUALITY SYMBOLS	GENERAL TOLERANCES (UNLESS SPECIFIED)	DIMENSION STYLE	SCALE	DESIGN UNITS	THIRD ANGLE PROJECTION	
	$\nabla=0$ $\sphericalangle=0$	mm INCH 4 PLACES ± --- ± --- 3 PLACES ± --- ± --- 2 PLACES ± --- ± --- 1 PLACE ± --- ± --- ANGULAR ± 2 °	MM/IN	DRAWN BY DATE EDC 1999/02/15 CHECKED BY DATE DHG 1999/02/15 APPROVED BY DATE GMH 1999/02/15	TITLE	METRIC	MMX JACK, PCB LAUNCHER MMCX-J/PCB
		DRAFT WHERE APPLICABLE MUST REMAIN WITHIN DIMENSIONS	SEE SHEET 1	MATERIAL NO.	DOCUMENT NO.		MOLEX INCORPORATED SD-73415-096
			SIZE C	THIS DRAWING CONTAINS INFORMATION THAT IS PROPRIETARY TO MOLEX INCORPORATED AND SHOULD NOT BE USED WITHOUT WRITTEN PERMISSION		SHEET NO.	3 OF 5

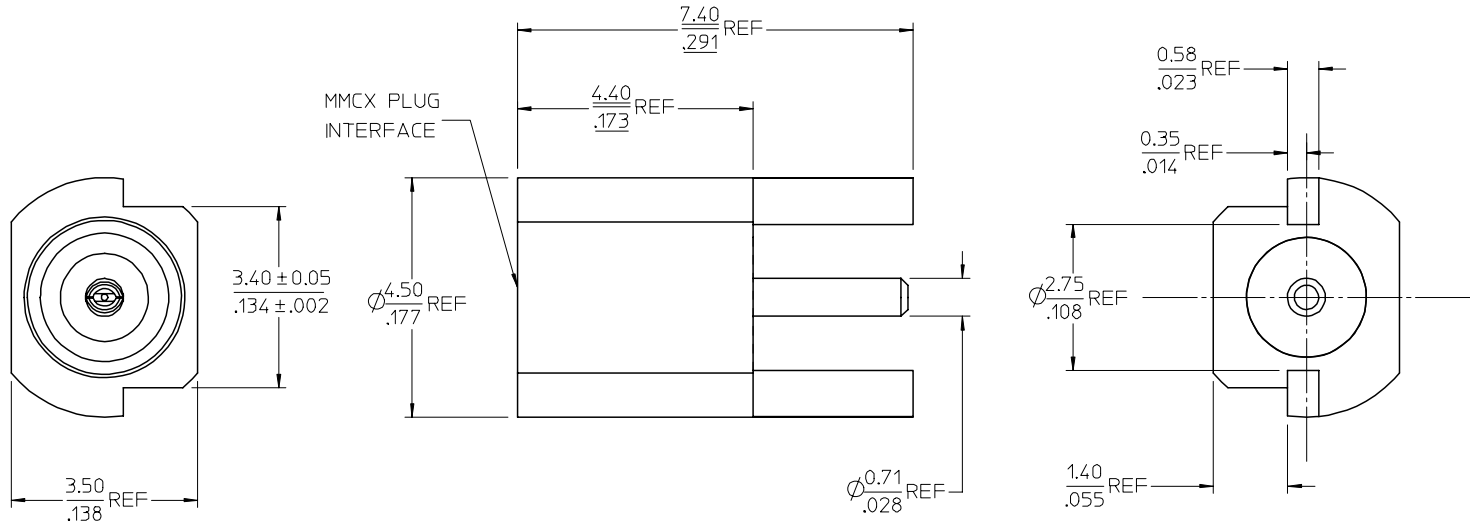
12 11 10 9 8 7 6 5 4 3 2 1

MATERIALS AND FINISHES:

BODY BRASS  
PLATED GOLD

CONTACT BERYLLIUM COPPER  
PLATED GOLD

INSULATOR TEFLON



PACKAGING:

1. PASTE COLOR LABEL OFFERED BY CUSTOMER ON EVERY POLYBAG SHOWING QTY, CUSTOMER P/N:- K00G0027

2. PASTE COLOR LABEL ON MASTER CARTON SHOWING P/N & QTY.

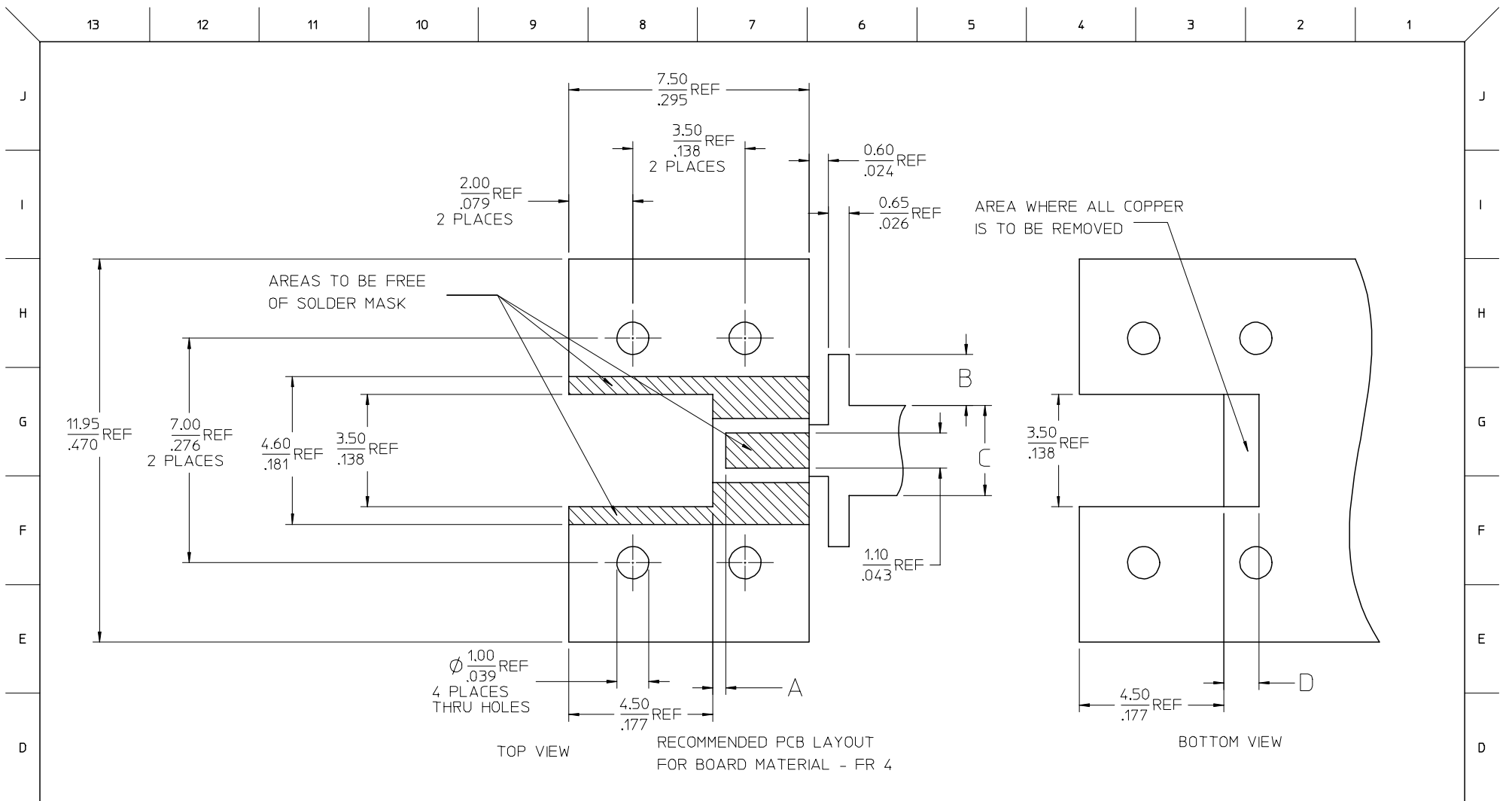
FOR PCB LAYOUT SEE SHEET 5

ES-73599-0000-0160	INTERFACE
PS-89675-1910	ELECT/MECH PERFORM.
SPECIFICATION	DESCRIPTION

CHG PACKAGING CUSTOMER P/N

MAS: K00G0027  
 T: 2006/08/07  
 CHFKD: 2006/08/08  
 APPR: MJIANG  
 2006/08/08

73415-0968	PER MILITARY REQUIREMENTS	SEE NOTE
PART NO.	DESCRIPTION	PACKAGING
QUALITY SYMBOLS	GENERAL TOLERANCES (UNLESS SPECIFIED)	DIMENSION STYLE
▽=0 ▽=0	mm INCH 4 PLACES ± --- ± --- 3 PLACES ± --- ± --- 2 PLACES ± --- ± --- 1 PLACE ± --- ± --- ANGULAR ± 2 °	MM/IN
DRAWN BY EDC CHECKED BY DHG APPROVED BY GMH	DATE 1999/02/15 DATE 1999/02/15 DATE 1999/02/15	SCALE
DRAFT WHERE APPLICABLE MUST REMAIN WITHIN DIMENSIONS		DESIGN UNITS METRIC
SEE SHEET 1		THIRD ANGLE PROJECTION
MATERIAL NO. SIZE C		TITLE MMCX JACK, PCB LAUNCHER MMCX-J/PCB
THIS DRAWING CONTAINS INFORMATION THAT IS PROPRIETARY TO MOLEX INCORPORATED AND SHOULD NOT BE USED WITHOUT WRITTEN PERMISSION		MOLEX MOLEX INCORPORATED
DOCUMENT NO. SD-73415-096		SHEET NO. 4 OF 5



0.80 MM / .031 INCHES	.039 REF	1.00 REF	-----	-----	.055 REF	1.40 REF	.043 REF	1.10 REF
1.00 MM / .039 INCHES	.035 REF	0.90 REF	.012 REF	0.30 REF	.071 REF	1.80 REF	.047 REF	1.20 REF
1.60 MM / .063 INCHES	.016 REF	0.40 REF	.063 REF	1.60 REF	.110 REF	2.80 REF	.091 REF	2.30 REF
PCB THICKNESSES	IN	MM	IN	MM	IN	MM	IN	MM

	A		B		C		D	
--	---	--	---	--	---	--	---	--

<b>CHG: SEE SHEET 4</b> FC NO: URF2007-0053 DRAWN: CLLI CHKD: 2006/08/08 APPR: MJIANG REV:	QUALITY SYMBOLS ▽=0 ▽=0	GENERAL TOLERANCES (UNLESS SPECIFIED)		DIMENSION STYLE MM/IN		SCALE	DESIGN UNITS METRIC	THIRD ANGLE PROJECTION	
		4 PLACES ± --- ± --- 3 PLACES ± --- ± --- 2 PLACES ± --- ± --- 1 PLACE ± --- ± ---	mm INCH ± --- ± --- ± --- ± --- ± --- ± ---	DRAWN BY EDC	DATE 1999/02/15	TITLE MMCX JACK, PCB LAUNCHER MMCX-J/PCB			
		ANGULAR ± 2 °		CHECKED BY DHG	DATE 1999/02/15	MOLEX INCORPORATED			
		DRAFT WHERE APPLICABLE MUST REMAIN WITHIN DIMENSIONS		APPROVED BY GMH	DATE 1999/02/15	MATERIAL NO. SEE SHT 1 & 4 SD-73415-096	DOCUMENT NO.	SHEET NO. 5 OF 5	

THIS DRAWING CONTAINS INFORMATION THAT IS PROPRIETARY TO MOLEX INCORPORATED AND SHOULD NOT BE USED WITHOUT WRITTEN PERMISSION